

VC21xx Series Wiring Note

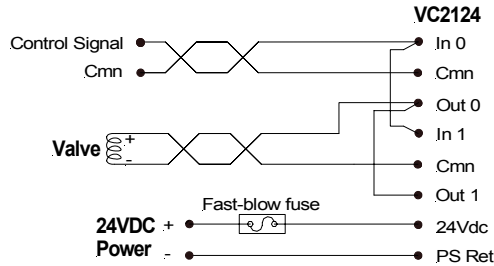
200mA Output with a VC21xx

The VC2124 and VC2100 voltage-to-current converters each have two channels of voltage-to-current conversion. Each channel output is capable of up to $\pm 100\text{mA}$. The inputs and outputs can be paralleled for output current up to $\pm 200\text{mA}$. This note describes how to wire the VC21xx series to achieve an output current up to $\pm 200\text{mA}$.

Refer to the VC2100 and VC2124 datasheets for specifications and general wiring information.

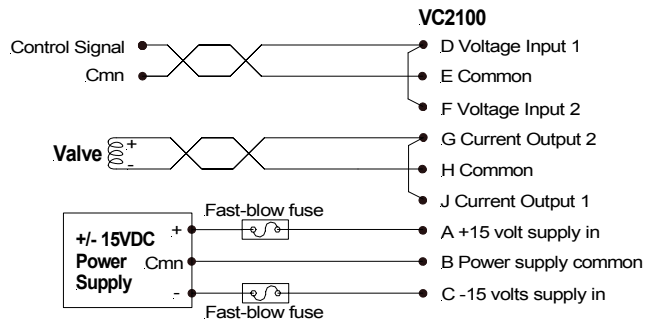
It is also possible to parallel more than two channels together using multiple VC21xx converters.

VC2124 Wiring Diagram for Parallel Channels



Note: The Cmn pins are electrically the same.

VC2100 Wiring Diagram for Parallel Channels



Note: The Common pins are electrically the same.

DELTA
COMPUTER SYSTEMS

This page intentionally left almost blank.