



RMC LCD420

LCD Terminal for RMC100 Motion Controllers

This rugged, cost-effective accessory for the RMC100 family of motion controllers brings an easy-to-use, flexible solution to applications requiring operator data entry and machine status display. The LCD terminal's small size allows it to be either panel-mounted or hand-held, making it ideal for simple stand-alone applications.

The RMC100 series LCD Terminal works with Delta's Event Step Table and complements Delta's powerful RMCWin setup and diagnostics software.

General

Using the LCD Terminal with the RMC100 Series motion controllers provides a complete machine control package for simple machines, allowing the user to:

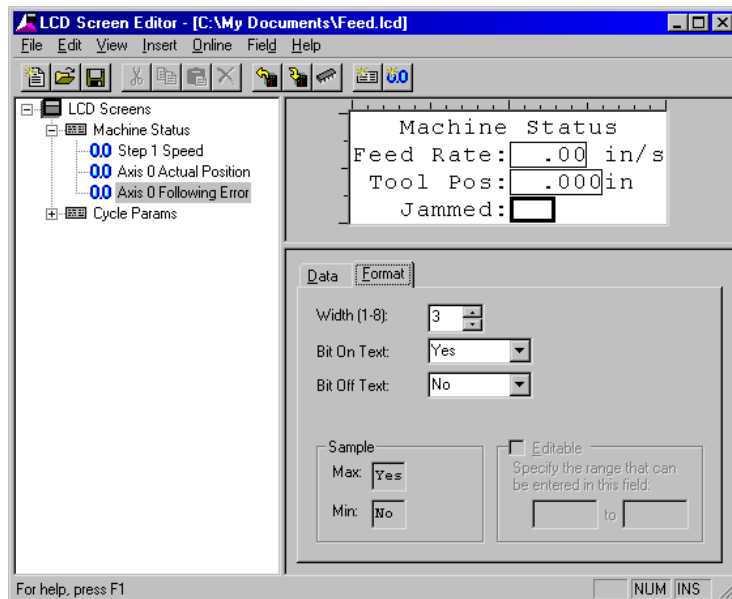
- Display position, parameter and status information
- Change parameters on the fly
- Change motion profiles
- Change set points, speeds, and a number of other process variables by modifying the RMC100's 256-step event control table.

The LCD Terminal can be plugged in with the controller powered up, allowing one LCD Terminal to be hot swapped between multiple RMC100 Series motion controllers.

The terminal is available with optional electroluminescent backlighting. Extended temperature and other backlighting options are available on special order.

Features

- Compact 4-line by 20-character LCD display
- Optional electroluminescent backlighting
- 20-key elastomeric keypad
- Rugged, chemical-resistant case
- In-panel, on-panel, or hand-held
- NEMA 4/12 (flush mounted)
- Connects directly to RMC Motion Controllers
- No external power supply needed (powered from RMC)



Build and edit LCD screens easily using the LCD Screen Editor built into the RMCWin software.



RMC LCD420

Mounting Options

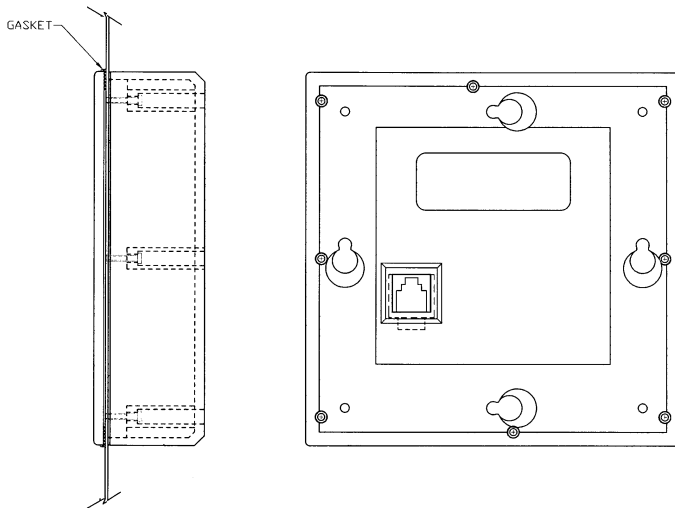
(Molded gasket and mounting hardware provided)

Hand-Held (not pictured)

- Use $\frac{3}{8}$ " long screws (silver)

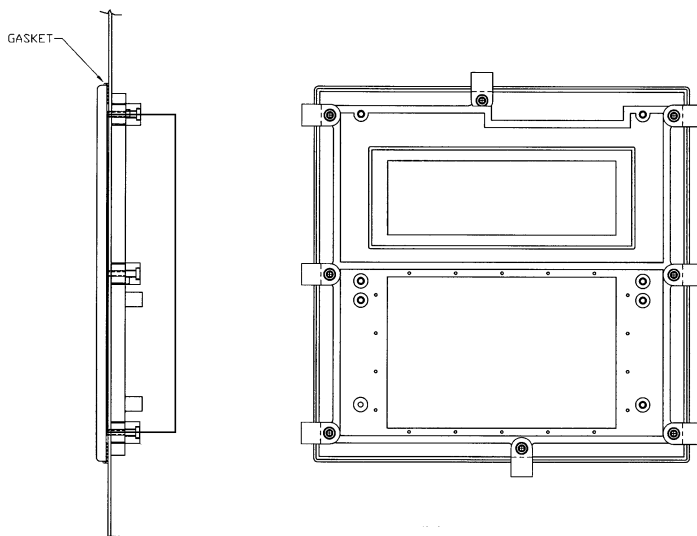
Flush Panel-Mount with Cover

- Panel thickness, $\frac{1}{16}$ " to $\frac{1}{8}$ "
- Use $\frac{1}{2}$ " long screws (gold)



Flush Panel-Mount without Cover

- Provides minimum depth behind panel.
- Panel thickness, $\frac{1}{16}$ " to $\frac{1}{8}$ "
- Use $\frac{3}{8}$ " long screws (silver)



Dimensions

Height	4.95 in (125.7 mm)
Width	4.95 in (125.7 mm)
Depth w/o cover	1.25 in (31.8 mm)
Depth w/cover	1.40 in (35.6 mm)
Faceplate depth (with gasket)	0.17 in (4.3 mm)

Certifications

- FCC Class A
- CE
- CENELEC EN 55022
- CISPR Class A
- EN 50082-1 – IEC 801-2,3,4 susceptibility

Environmental

- NEMA 4/12
Front side of panel-mount options
- Storage temperature:
-4 to 140 °F (-20 to 60 °C)
- Operating temperature:
32 to 122 °F (0 to 50 °C)
The following extended temperature range is available on special order:
-4 to 158 °F (-20 to 70 °C)
- Humidity:
90% (non-condensing)

Ordering Information

Part Numbers:

LCD420 – without backlighting

LCD420-EL – with EL backlighting

Both include LCD terminal, cable, and mounting hardware.

Company Profile

Delta Computer Systems, Inc. manufactures motion controllers, color sensors/sorters, and other industrial controls providing high-performance automation solutions to a wide range of industries.

